

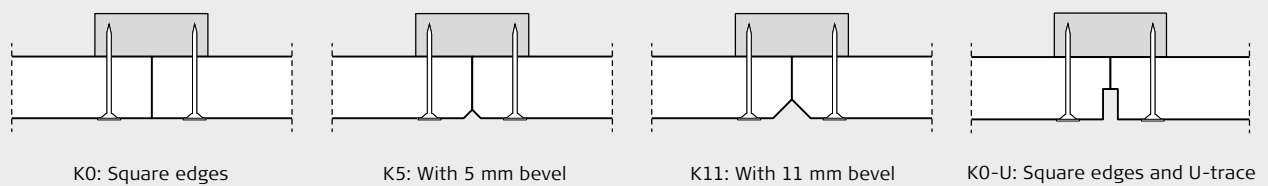
INSTALLATION INSTRUCTIONS

Troldtekt® acoustic panels K0, K5, K11 and K0-U installed with screws

These instructions apply to installation of Troldtekt® acoustic panels K0, K5, K11 and K0-U with screws on wooden battens or steel profile system. If you install Troldtekt® on wooden battens, the battens should be minimum 20x90 mm.

You can download all installation instructions from www.troldtekt.co.nz.

PROFILE DRAWINGS (INDEPENDENT OF SUSPENSION)



INSTALLATION (PLEASE READ FULL INSTRUCTIONS BEFORE STARTING WORK)

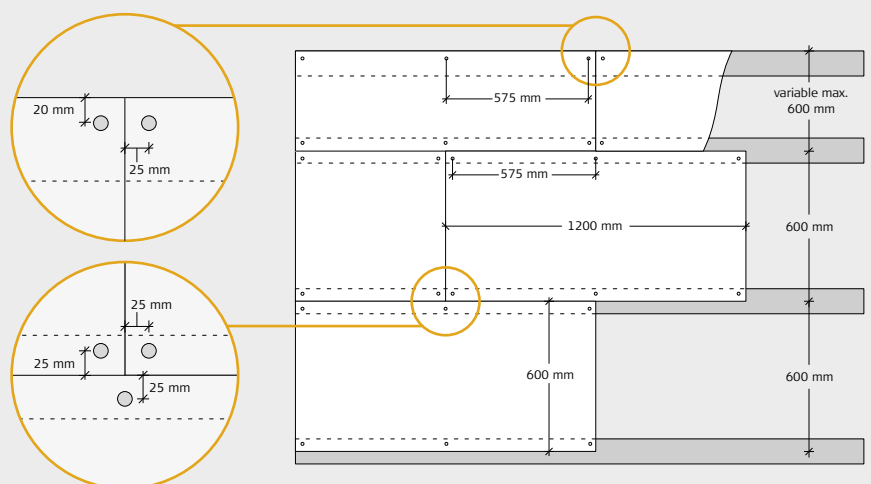
1: Start by installing a complete row of Troldtekt panels along the centre line of the room. Then continue on both sides. It is important that the panels are installed closely together, and the optimum aesthetic effect is obtained by installing the panels in broken bond.

2: Fix the panels using Troldtekt screws spaced 25/20 mm from the edges – as indicated in the figure below.

Note: When installing 600x600 mm square panels, it is important to ensure that the wood wool fibres run mainly parallel in one direction. To ensure a uniform appearance, install the panels so that the printed Troldtekt texts on the back of the panels all run in the same direction.

ILLUSTRATION – INSTALLATION, K0, K5, K11 AND K0-U

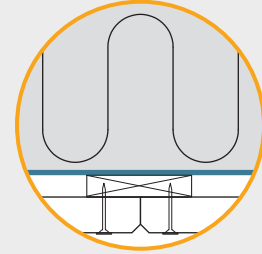
The figure shows longitudinal wooden battens, but transverse battens are equally applicable. Note, however, the tolerances of the Troldtekt panels. If the panels are very dry, they could be undersized, which could cause problems on very large surfaces with transversal wooden battens.



VAPOUR BARRIER

If you need to install a vapour barrier, we recommend using polyethylene. The vapour barrier must be placed over the wooden battens, i.e. between the battens and the main beam. Install the vapour barrier tightly against the insulation.

Please refer to the manufacturer's instructions.



TROLDTEKT® SCREWS

Panel thickness (mm)	Panel length (mm)	Screw dimension (mm)	No. of screws (per panel)	Max. span (mm)
25	600	4.2x45/4.2x50	4	600
	1200		6	
	2000/2400		10	
35	600	4.2x55/4.2x50	4	600
	1200		6	
	2000/2400		10	

Troldtekt structure screw
for wood and steel, PH2

4.2x45 mm / 4.2x55 mm



Troldtekt structure screw
for steel, PH2

4.2x50 mm



NOTE:
Not all screw variants are stocked